

EVOJTA





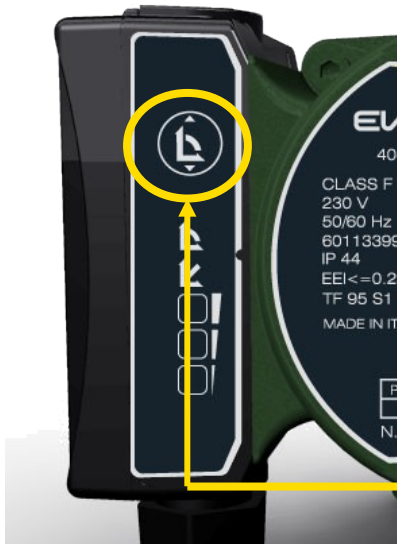
Domestic circulator with **Energy Efficiency Index (EEI)** in line with the European Directive **ErP 2009/125/CE** (formerly EuP), **suitable for hot water circulation in heating systems (NO AIR CONDITIONING).**

Ready for the European Directive ErP requirements

as from **2015**



- ✓ Only one product to replace 4, 5 and 6 m pumps/heads
- ✓ Compact size
- ✓ Removable cable gland to minimize time taken to changeover
- ✓ Air vent plug for better airventing and deblocking of the rotor shaft
- ✓ User friendly: only one button for setting



Voltage Supply	1 x 230 V – 50/60 Hz
Protection Level	IP 44
Insulation Class	F
Motor Power	44 Watt
Max Working Pressure	10 bar
Liquid Temperature	da +2°C a +95°C
Max Amb Temperature	40 °C
Max % di Glycol in the Liquid	30 %



Operatinig modes:

Constant speed

possibility to choose 3 curves:

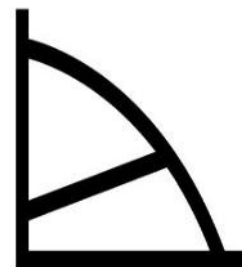
CSI (6m) – CSII (5m) – CSIII (4m)



Proportional Differential Pressure

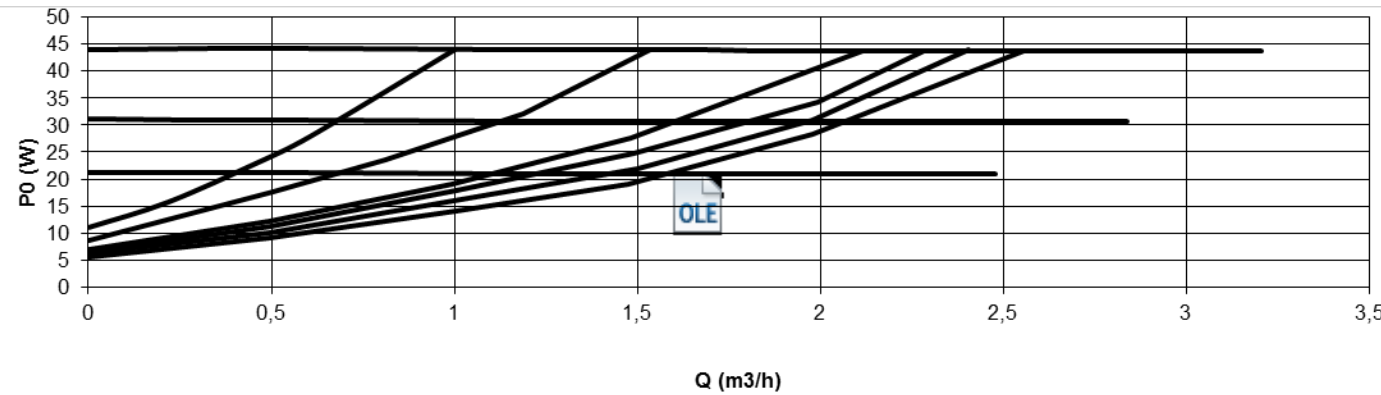
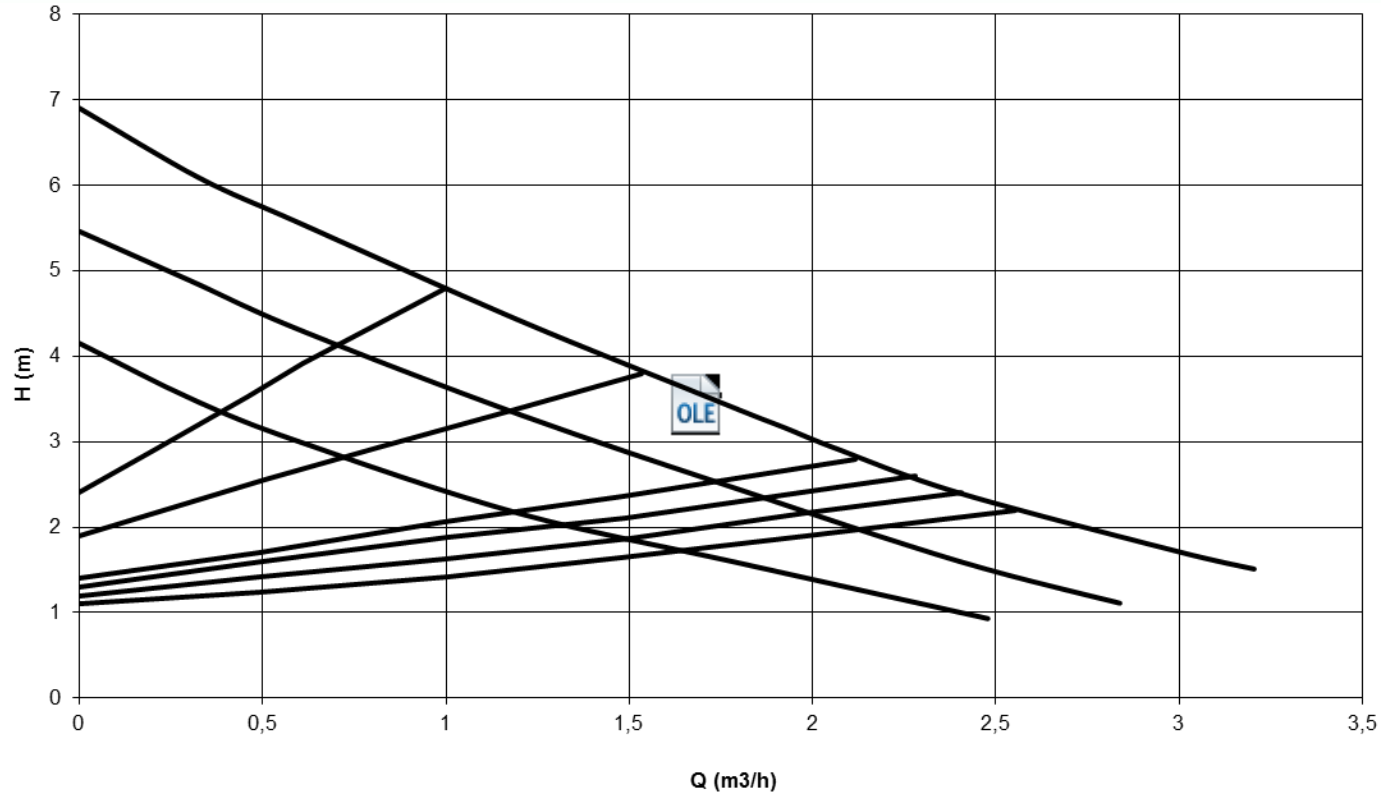
possibility to choose 6 curves:

PPI – PPII – PPIII – PPIV – PPV – PPVI



The motor pump has an electronical internal protection.
The circulator starts with a high torque regardless of the type of setting.

Hydraulic data



Led sequence

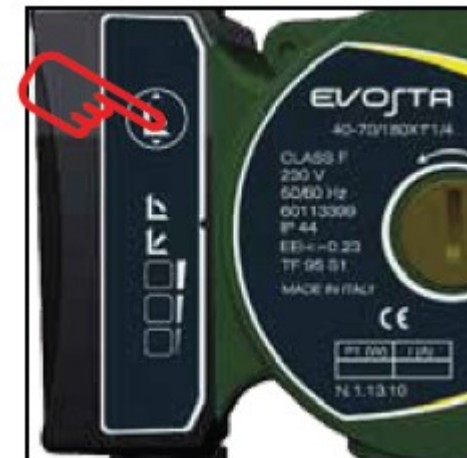
Constant Speed



CS1

CS2

CS3



Proportional Differential Pressure



PP1

PP2

PP3

PP4

PP5

PP6



= led flashing slowly



= led with a steady light



- **EVOSTA 40-70/130 (1")**
- **EVOSTA 40-70/130 (1/2")**
- **EVOSTA 40-70/180 (1")**
- **EVOSTA 40-70/PH M230****

- ✓ ***Only one motor case (old circulator VA 35 / 55 / 65)***
- ✓ ***Pump body in cast iron GG25***

****Only motor body: possibility to replace only the motor of circulatory VA EVO (production from 2007)**

Single button setting sequential operation mode

Led Constant Speed

Led Proportional Pressure

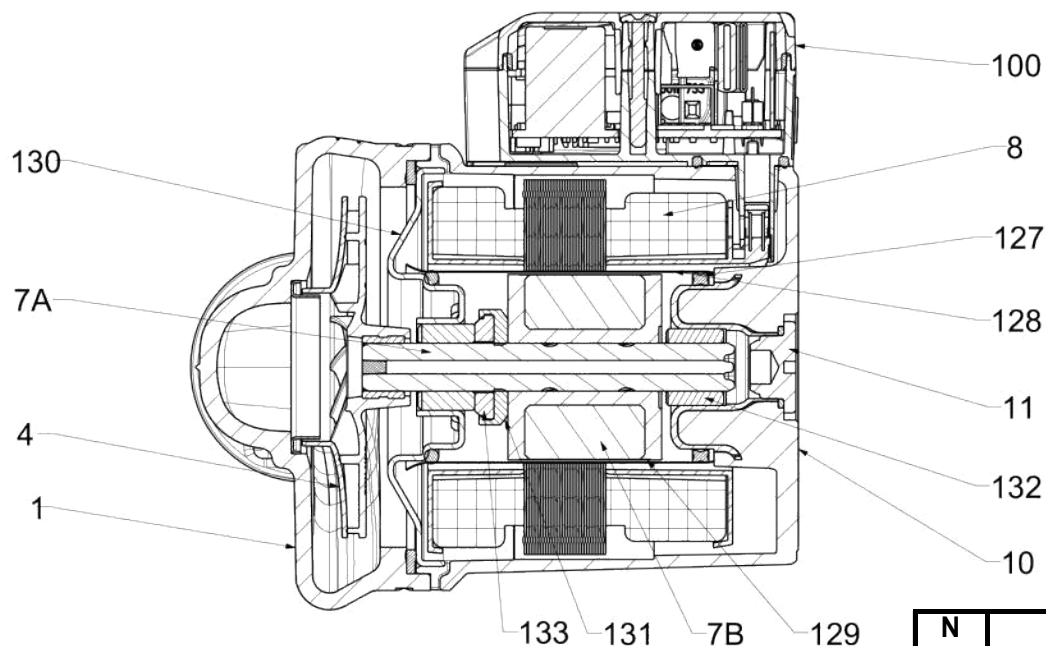
Max fluid temperature





Insulation class

Protection level

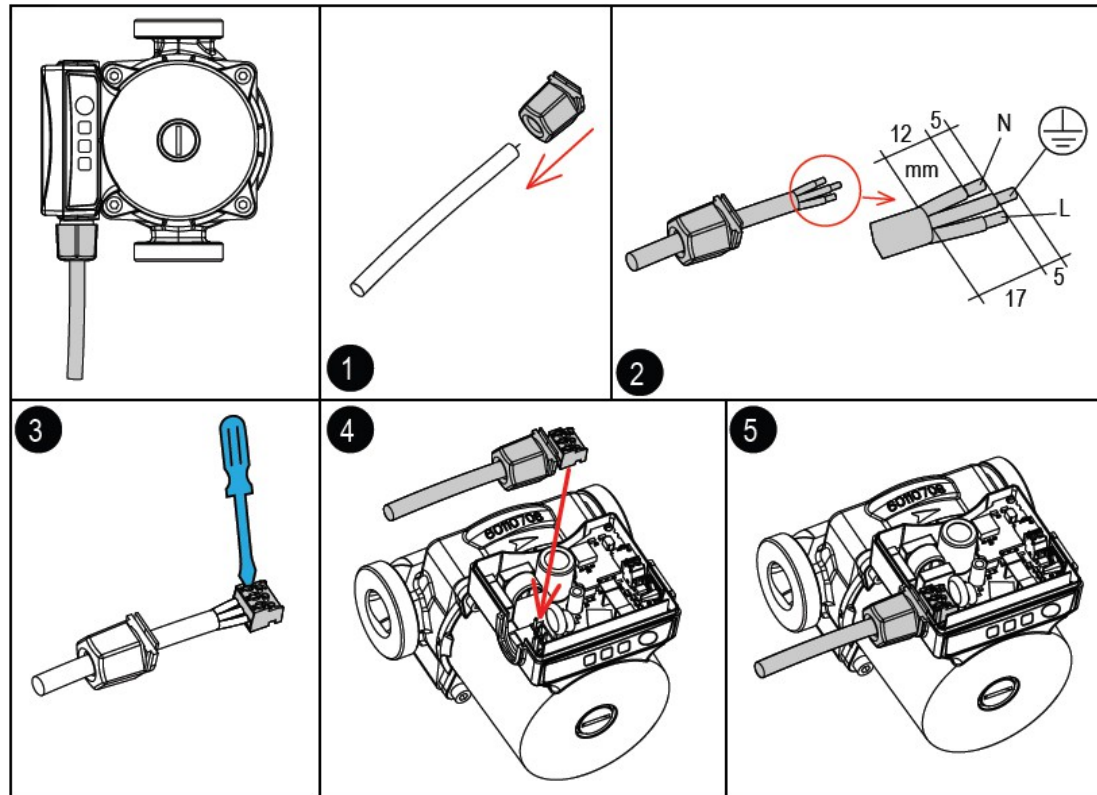
Energy Efficiency Index



N	PARTS	MATERIALS
1	PUMP BODY	CAST IRON
4	GIRANTE	TECHNOPOLYMER
7A	MOTOR SHAFT	CERAMIC
7B	ROTOR	MAGNET
8	STATOR	-
10	MOTOR CASING	DIE CAST ALUMINIUM
11	BREATHER PLUG 	BRASS
100	TERMINAL BOX 	TECHNOPOLYMER
127	SEAL RING	EPDM
128	STATOR JACKET	STAINLESS STEEL
129	ROTOR JACKET	STAINLESS STEEL
130	CLOSING FLANGE	STAINLESS STEEL
131	THRUST RING SUPPORT	EPDM
132	BUSHINGS	GRAPHITE
133	THRUST RING	CERAMIC

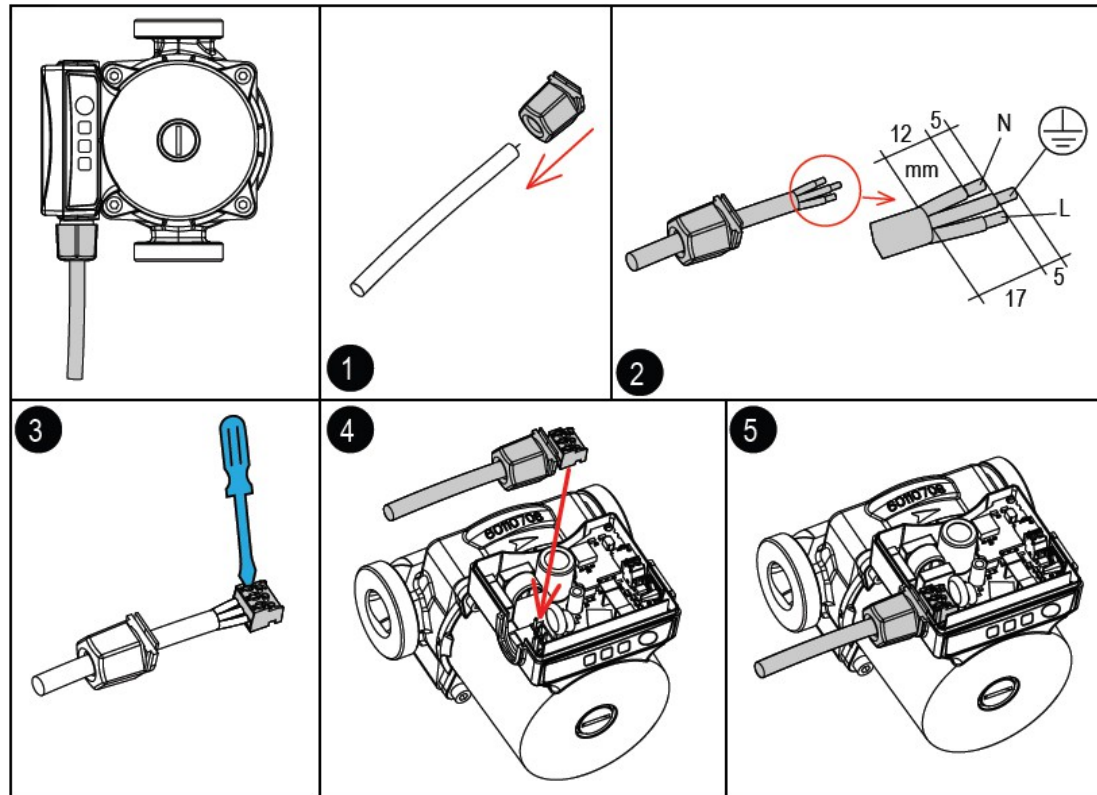
Removable cable gland:

- ✓ Easy to install
- ✓ Minimizing changeover times



Removable cable gland:

- ✓ Easy to install
- ✓ Minimizing changeover times



Air vent plug:

- ✓ better airventing of the circulator
- ✓ possibility to unblock the driving shaft*



***WARNING:**

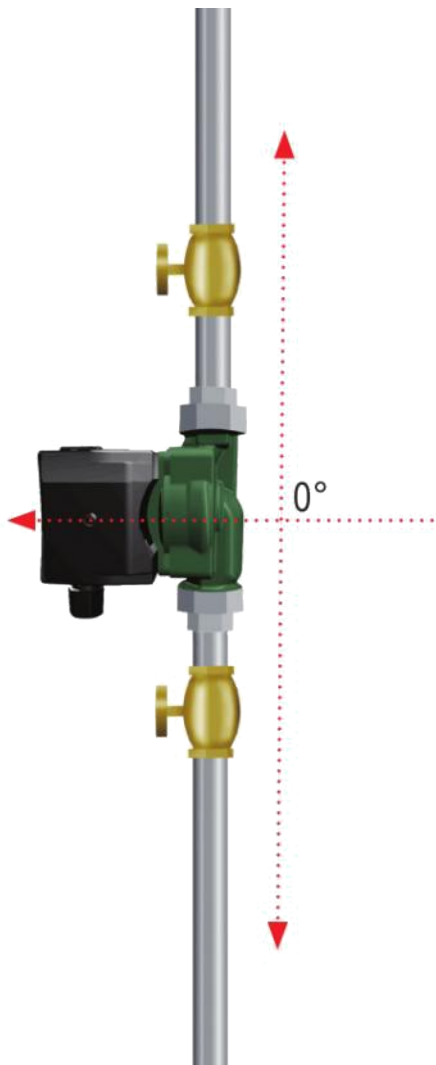
Operation to be performed with caution

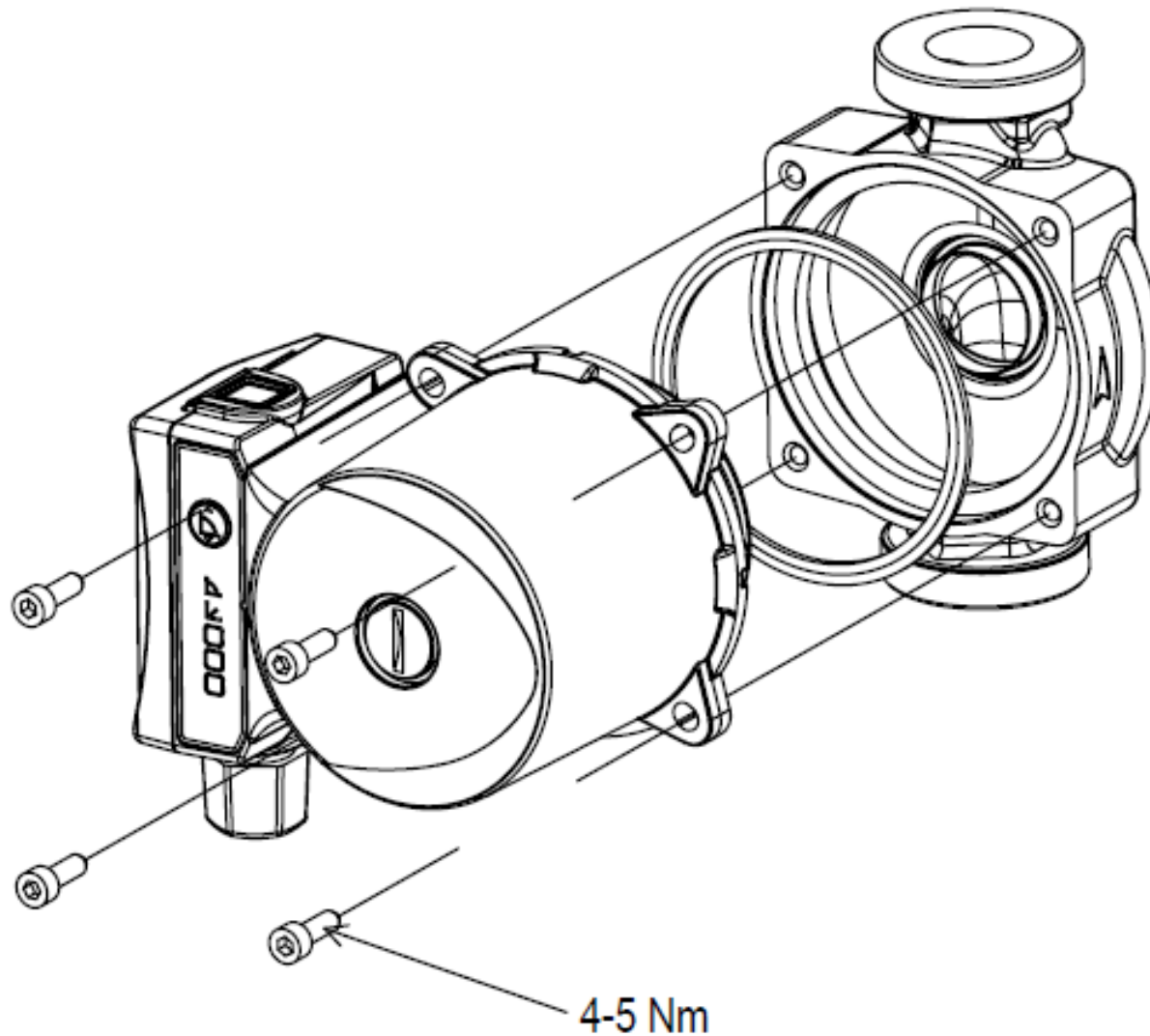
(ceramic driving shaft)



- 2 flashes of the operating curve: ROTOR BLOCKED
- 3 flashes of the operating curve: ELECTRONIC PROBLEMS

+ *switching off of the selected curve LEDs*





EVOTRON



EVOSTA



Hmax	8 m	6 m
Ver. SAN (bronze)	Yes	No
Ver. SOL (cataphoresis)	Yes	No
Air conditioning	Yes	No
Night reduction (Economy)	Yes	No
Air-vent plug	No	Yes
Insulation shells	Yes	No
Plug	Yes	No
Dimensions	-	Same as VA
Regulation modes	CS - PP - PC	CS - PP
CS curves	3 for model	3 for model
PP curves	3 for model	6 for model
PC curves	2 for model	No

THANK YOU FOR YOUR ATTENTION

